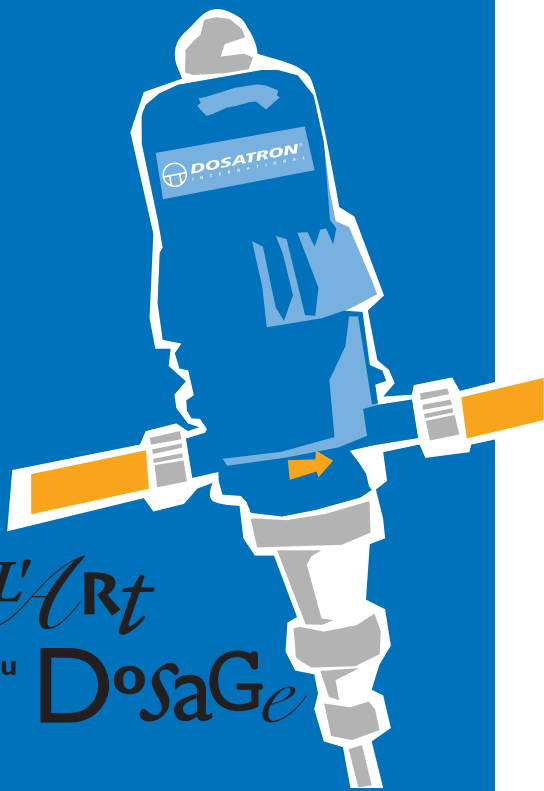


L'Art
du DosaGe

DI 16

Non electric proportional liquid dispenser



Technical Point

■ Injected solution

with minimum flow :0.02 l/h [0.67 fl.oz /h]
with maximum flow :40 l/h[10.56 us Gal. /h]

■ Maximum suction height :

4 m [13 ft]

■ Head loss at maximum flow rate, at average pressure :

1.4 bar [20 PSI]

■ Maximum Operating Temperature :

40° C [104° F]

■ Built-in homogenizer

■ 1 built-in motor protection filter :

350 microns [50 mesh]

■ 1 complete suction pipe :

Length 120 cm [47"]
Inner/External Diam. 6 x 9 mm with 300 microns strainer[50 mesh] and ballast

■ 1 wall support

■ Overall size :

Diam. 11 X L 16 X H 48.5 cm
[4 1/8" X 6 1/4" X 19"]

■ Materials :

Body and bell : delrin

Dosing stem : polypropylene, polyéthylène

Piston : polyurethane, nylon, nitrile, delrin

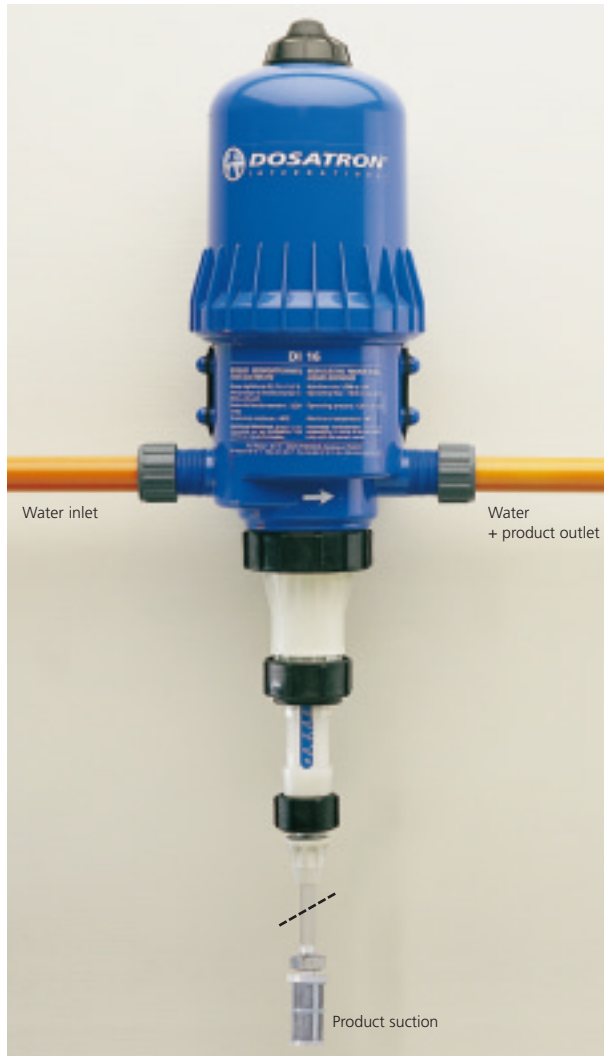
■ Package composition :

1 liquid dispenser, 1 complete suction pipe, 1 wall support, 1 owner's manual

■ Package size :

52 X 15.5 X 19 cm
[20 1/2" X 6 1/8" X 7 1/2"]

■ Package weight : 2.460 kg [-5.4 lb]



Water direction

Connect the liquid dispenser to the installation complying with the direction of water (**only power source**) indicated by the arrows on the pump body.

N.B. The connectors are not supplied

Inlet / outlet connection :
3/4" BSP-NPT Diam. 19 mm



Dosage

The dosage is **externally adjustable**. The injection rate can vary at your convenience. (Partially unscrew the black nut. Turn the dosing stem Put the chosen rate on the black mark of the transparent ring).

The dosage of the injected product is **always proportional** to the water volume of the network, whatever the flow or pressure variations may be.

3 choice criteria of the Liquid Dispenser

The choice of liquid dispenser depends, according to the application, on the water flow rates and pressures, product concentrations used and the installation structure.

Operating practical Flow rate :

- from 10 l/h to 2.5 m³/h
- [from 0.16 l/mn to 41.66 l/mn]
- [from 2.64 us Gal. /h to 660 us Gal. /h]

Operating Pressure :

- from 0.3 bar to 6 bar
- [from 4.3 PSI to 85 PSI]

Adjustable Dosage :

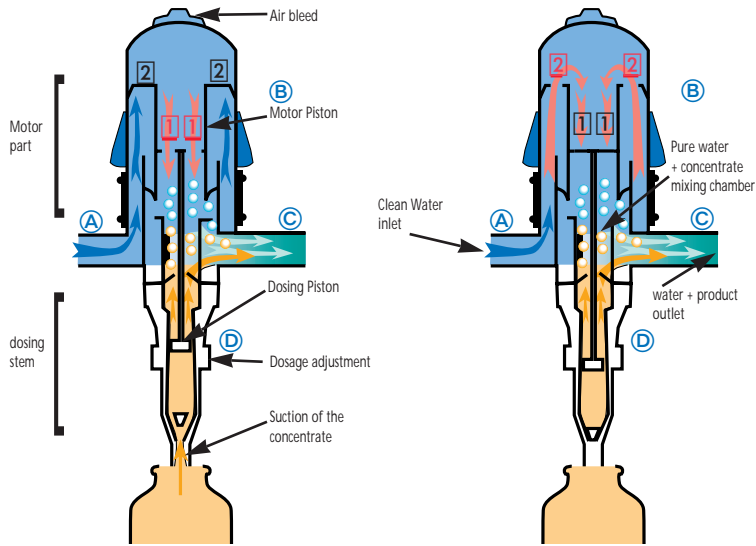
- from 0,2 % to 1,6 %
- [1:500 to 1:64]



DOSATRON[®]
I N T E R N A T I O N A L

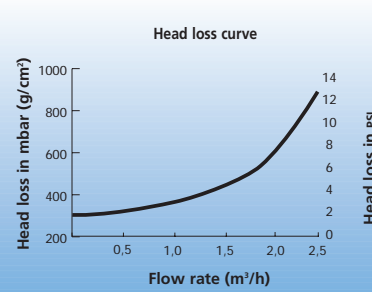
Non electric liquid dispenser operation

Even in small quantity, the water flows through the unit, activates the motor piston driving the dosing piston, which sucks the product and drives back in the main line.



Phase 1 : The water inlet (A) pushes the piston (B) and forces the mixture downstream in (C). At the same time, the dosing piston (D) sucks the product and injects it in the mixing chamber. At the end of the higher travel the inlet valves 2 open, exhaust valves 1 close.

Phase 2 : The piston (B) lowers and part of the solution is injected in the mixing chamber. At the end of the lower travel the exhaust valves 1 open, and the inlet valves 2 close and the cycle starts again.



REMINDER

1 bar	= 14,5 PSI
1 us Gal.	= 3,785 liters
1 inch	= 0,0254 meter
1 fl. oz (fluid ounce)	= 29,57 ml
1 lb (pound)	= 453,592 g
temperature	= C°X1,8+32=F
1 g / l	= 0.1% if D=1
1 l	= 1000 cc
1 ppm	= 1g/m³
1 m of water height	= 0,1 bar = 100 g/cm²

Dosage - International measures conversion

%	RATIO	Fl. Oz./U.S.Gal	P.P.M.
0.20	1:500	0.25	2 000
0.50	1:200	0.60	5 000
0.80	1:128	1.00	8 000
1.00	1:100	1.25	10 000
1.60	1:64	2.00	16 000
2.00	1:50	2.50	20 000
3.00	1:33	3.75	30 000
3.30	1:30	4.16	33 000
4.00	1:25	5.00	40 000
5.00	1:20	6.25	50 000
8.33	1:12	10.40	83 333
10.00	1:10	12.50	100 000

WE HAVE OTHER MODELS TO COVER ALL THE NEEDS, CONSULT US!

DOSATRON INTERNATIONAL Range of Products

REF	WATER FLOW	PRESSURE	DOSAGE
DI 16	10 l to 2.5 m³/h	0.30 bar to 6 bar	0.2% to 1.6%
DI 150	10 l to 2.5 m³/h	0.30 bar to 6 bar	1% to 5%
DI 210	10 l to 2.5 m³/h	0.50 bar to 4 bar	2% to 10%
D 8 R	500 l to 8 m³/h	0.15 bar to 8 bar	0.2% to 2%
D 8 R 150	500 l to 8 m³/h	0.15 bar to 8 bar	1% to 5%
D 20 S	1 to 20 m³/h	0.12 bar to 10 bar	0.2% to 2%
D 30 S turbo	5 to 30 m³/h	1 bar to 8 bar	0.25% to 1.25%
D 60 S bi-turbo	10 to 60 m³/h	0.5 bar to 8 bar	0.1% to 0.65%

Hi-clean systems equipped with : **DI 16, DI 150, DI 210**
 KPH — weedkilling kit equipped with : **DI 16, DI 150**

DI 16

Non-electric proportional liquid dispenser

OPTIONS

OPTIONS ENABLE TO BETTER ADAPT THE DISPENSER TO THE NEEDS. THEIR USEFULNESS WILL BE DETERMINED WITH THE HELP OF OUR TECHNICAL DEPARTMENTS.

Suction pipe

- Specific for particular products (silicone pipe, flat strainer...).
- Viscous kit (20x27 mm hose and Rilsan coated ballast and strainer).

Specific seals (VT, VF, AF)

For PH Acid PH use VF seals.
 For PH Basic PH use AF seals.

By-pass

Product suction starting system (on) and stop (off).



By-pass

PVDF

The liquid dispensers can be equipped with PVDF body and bell for dosing aggressive products.

PVDF



Motors

according to your application specifications.

Strap

to hold the unit on the wall support.

Accessories :

See Accessories sheet.

Other options exist, consult us !



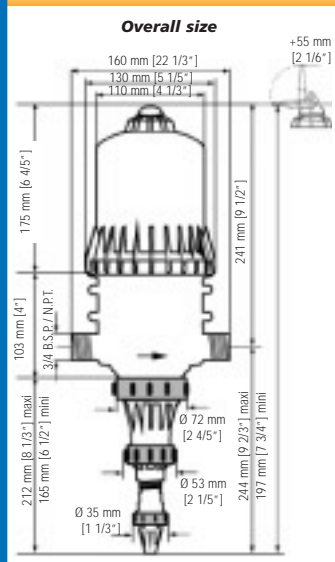
Advantages

- Proportional.
- Low pressure and flow rate operation.
- Externally adjustable dosage.
- Large range of dosage.
- Mixture injected at the outlet.
- Self-priming up to 4 meters.

PATENTED PRODUCTS
ALL OUR LIQUID DISPENSERS ARE TESTED AND HAVE ONE YEAR WARRANTY

Advices for use to be complied with for correct operation and long lasting of liquid dispensers

- Change the dosing seals once a year
- In case of aggressive products, don't put the product directly under the liquid dispenser (corrosive steam),
- Do not adjust the dosage under pressure,
- Rinse as frequently as possible to avoid equipment crystallization and corrosion,
- Put a 60 to 300 microns filter upstream the liquid dispenser according to the quality of the water and to your application,
- Using the material without product doesn't damage it,
- Install protections to avoid, over-flow, over-pressure and water-hammers.



Rue Pascal – BP 6 – 33370 TRESSES (Bordeaux) FRANCE
 Tél. 33 (0)5 57 97 11 11 — Fax 33 (0)5 57 97 11 29
<http://www.dosatron.com> E-MAIL : info@dosatron.com

Creation Jean-Noël Dumeyrol - 05 56 52 86 73 - CThis document does not form a contractual engagement on the part of DOSATRON INTERNATIONAL and is for information only. The company reserves the right to alter product, specification or appearance without prior notice. IV DFFI/GB03099 - Credit photo : DOSATRON INTERNATIONAL - P. COURET.